

Problem: **No Hot Water in Shower - Moen Single Handle Faucet**

Your problem sounds more like a scald guard adjustment than a cartridge problem. Under the handle is 2 plastic parts that have gears on them. They are adjustable to limit the range motion of the handle. Basically, it stops the range of the handle from turning all the way over to hot. On a Moen Chateau the adjustment is on the metal sleeve; the gears are under the handle on the Posi-temp.

Types of Moen Replacement Cartridges

Moen 1200 replacement cartridge is for all Moen single-handle kitchen, lavatory, bar and tub/shower faucets (**excluding posi-temp tub/shower**). The Moen 1200 replacement cartridge repair most leaks and restores faucet action to like new condition. Moen 1200 replacement cartridge is a Genuine Moen Factory Repair Replacement Part.

Moen 1225 replacement cartridge is the replacement *cartridge* for all Moen, Legend, Chateau, Chalet and Touch Control models by Moen. The Magnum 1225 is used in single handle kitchen, lavatory, bar and tub/shower faucets (**excluding posi-temp tub/shower**).

Instructions are included in the package MOEN #1200 and #1225 Cartridge. The tools you will need are a pair of pliers, a Philips screwdriver, and an Allen wrench set.

Optional: white vinegar and an old toothbrush, to clean, demineralize and descale the faucet.

CAUTION: Always turn water supply OFF before removing existing faucet. Turn faucet on to relieve water pressure and ensure water is completely off.

Removes all Moen single lever 1200, 1225 & 1222 core cartridges plus Posi-Temp.

Posi-Temp Cartridge Repair Kit

Fix leaks with a Genuine Moen Factory Posi-Temp Cartridge Repair - Replacement Part. Contents

- MOEN Posi-Temp Cartridge
- Tube silicone grease
- Cartridge twist tool
- Grommets
- O-Rings
- Shell
- Instructions are included in package



fits all Moen 1 handle faucets (excluding Posi-Temp and ExactTemp)



Moen Posi-Temp Single Handle Tub/Shower valves



Fits all Moen single handle faucets



Removing a Moen Cartridge (One set of instructions)

Moen faucets have only one moving part. The stem slides up and down to open and close the faucet and rotates to regulate the flow of hot and cold water. Any leaking requires replacement of the cartridge.

First, turn off the water. To remove the cartridge, you'll need to remove the handle. This project can be like working a puzzle. If you have the manufacturer's instruction sheet for the faucet, you're ahead of the game. Without it, look for a retainer clip at the rear of the faucet just below the handle. Or, you may have to remove a setscrew or snap-in "hot-cold" button and a handle pin or screw. On some faucets the swing spout must come off first. The retainer clip may be hiding beneath the handle inside a lift-out tube. Some cartridge faucets use two retainer clips—one by the handle and another by the cartridge. Retainer clips can be pried out with a screwdriver.

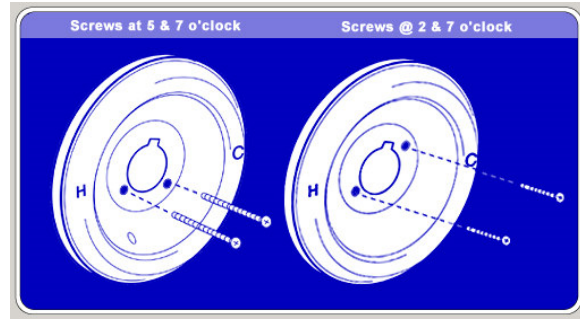
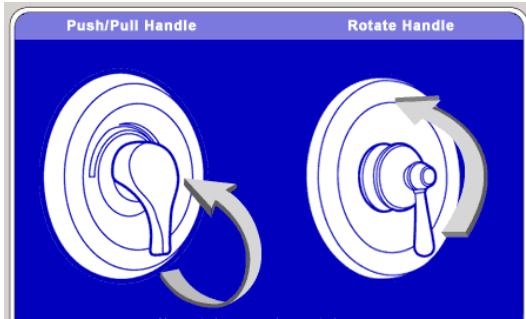
Once the retainer clip is removed, the cartridge simply pulls out. Use pliers, as shown in Fig. 6. Install the new cartridge by pushing it into place with the flat arrow, or other mark upward. If you use a lubricant on the cartridge, make sure it's silicone grease.

Check and clean the cartridge inlet ports. Before you button up the faucet turn the water back on for a minute to flush out the supplies.

How To Remove a Moen Cartridge (Another set of cartridge removal instructions)

Pry off the metal plate directly on top of the handle. You will find a screw underneath, remove that and pull out and up at the same time on the handle. Work it around a bit and it should come free. You will see a brass clip holding in the cartridge. Before you pull that clip, **PAY VERY CLOSE ATTENTION AS TO HOW THE CARTRIDGE AND THE CLIP ARE POSITIONED IN THE VALVE BODY, YOU ARE GOING TO HAVE TO INSTALL IT THE SAME WAY.** Pull the clip and take the white nylon tool that came with the new cartridge and try to break the cartridge free. If you can turn the cartridge pull up on the stem to remove the cartridge. Don't forget to coat the new cartridge with the silicon lube that came with the new cartridge. Never use grease or oil on neoprene "O" rings. Now just put everything back the opposite way you took it apart.

A teardrop handle is either a Chateau or a positemp. The chateau pulls out to turn on and left to right for temperature. The positemp only goes right to left for on and temp. To reverse hot and cold on the chateau all you have to do is rotate the brass stem 180 degrees; you don't have to turn the water off on the positemp you have to turn the water off and bleed the pressure off and rotate the full cartridge. Most times you can use a pair of needle nose pliers to move the ears of the cartridge left to right and the cartridge will 'walk' out of the valve body; rotate it back and forth slowly to loosen the cartridge before walking it out.



- Remove cap button or helmet style cap to expose screw.
Optional: Pour white vinegar to help remove mineral deposits.
- Remove remaining parts. Hint: domes snap up and off; collars unthread.
- Some fixtures have a washer around stem that needs to be removed.
- Remove retainer clip (copper horseshoe-shaped clip). Most clips slide in from back to front or on tub and shower faucets, from top to bottom.
- Using white plastic twist cap tool (supplied in repair kit or with new cartridge) turn cartridge 90 degrees to the right and 90 degrees back to the left.
- With pliers, pull cartridge out of faucet.
Optional: Clean valve housing with white vinegar and toothbrush; rinse/flush with water.
- Insert new 1200 cartridge with tabs at 12 and 6 o'clock positions. The hole on the face of the cartridge stem will be facing 6 o'clock or down if replacing a tub and shower cartridge.
- Reassemble faucet accordingly.
- Open water supply.